

Technical data sheet

Product features



Refrigeration base electric GN 1/1 without plate 2x1 drawer stainless steel

Model	SAP Code	00012028
--------------	-----------------	----------



- Material: AISI 304
- GN / EN size in device: GN 1/1
- Number of GN / EN: 2
- Control type: Digital
- Minimum device temperature [°C]: -2
- Maximum device temperature [°C]: 7
- Max ambient temperature [°C]: 40
- Insulation thickness [mm]: 50
- Unit: Right
- Automatic defrost: Yes

SAP Code	00012028	Chamber volume [l]	86
Net Width [mm]	1200	Number of GN / EN	2
Net Depth [mm]	685	GN / EN size in device	GN 1/1
Net Height [mm]	575	Minimum device temperature [°C]	-2
Net Weight [kg]	81.00	Maximum device temperature [°C]	7
Power electric [kW]	0.130	Refrigerant	R290
Loading	230 V / 1N - 50 Hz	Climate class	5
Energy class	D		

Technical data sheet

Technical drawing

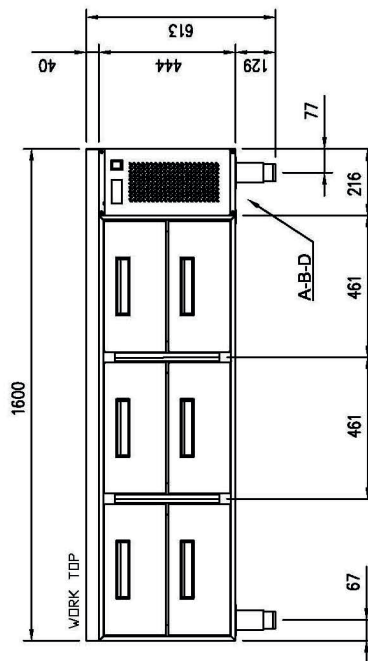
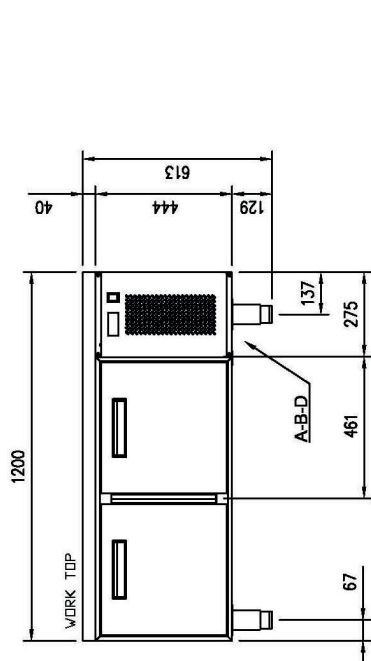
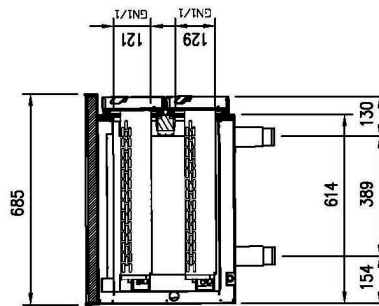
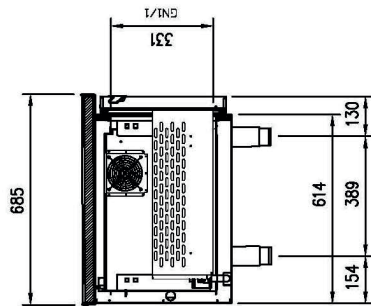


Refrigeration base electric GN 1/1 without plate 2x1 drawer stainless steel

Model

SAP Code

00012028



A= ELECTRICAL CONNECTION
 B= GAS CONNECTION ø8 ø10
 D= WATER DISCHARGE ø20 (M)

Technical data sheet

Technical parameters



Refrigeration base electric GN 1/1 without plate 2x1 drawer stainless steel

Model

SAP Code

00012028

1. SAP Code:

00012028

2. Net Width [mm]:

1200

3. Net Depth [mm]:

685

4. Net Height [mm]:

575

5. Net Weight [kg]:

81.00

6. Gross Width [mm]:

1220

7. Gross depth [mm]:

705

8. Gross Height [mm]:

700

9. Gross Weight [kg]:

96.50

10. Device type:

Electric unit

11. Power electric [kW]:

0.130

12. Loading:

230 V / 1N - 50 Hz

13. Energy class:

D

14. Refrigerant:

R290

15. Material:

AISI 304

16. Exterior color of the device:

Stainless steel

17. Max ambient temperature [°C]:

40

18. Device properties 2:

Cooling

19. GN / EN size in device:

GN 1/1

20. Number of internal parts:

2

21. Number of GN / EN:

2

22. Chamber volume [l]:

86

23. Adjustable feet:

No

24. Insulation thickness [mm]:

50

25. Unit:

Right

26. Control type:

Digital

27. Annual energy consumption [kWh]:

1364

28. Minimum device temperature [°C]:

-2

Technical data sheet

Technical parameters



Refrigeration base electric GN 1/1 without plate 2x1 drawer stainless steel

Model

SAP Code

00012028

29. Maximum device temperature [°C]:

7

32. Net Volume [m3]:

0.473

30. Automatic defrost:

Yes

33. Climate class:

5

31. Gross Volume [m3]:

0.602

34. Cross-section of conductors CU [mm²]:

0,5

- Výkon (kW): 2,4-3,3 (230 V)